

NEW ERA SLG

系列三相无刷同步发电机
 SERIES THREE-PHASE BRUSHLESS
 SYNCHRONOUS ALTERNATOR



SLG184 TECHNICAL DATA SHEET

50Hz CLASS "H"

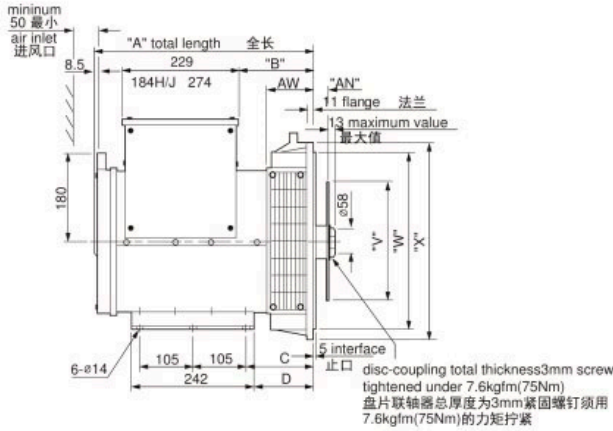
RATINGS 额定/温升/环境温度 Duty / Temp Rise / Ambient T°	绕组形式 311 / 功率因数0.8 Winding 311 / 0.8 Power Factor												绕组形式05 Winding 05					
	持续/125k/40°C Cont./125k/40°C						持续/125k/40°C Cont./125k/40°C						持续/125k/40°C Cont./125k/40°C					
相数 PHASE	三相 3 PHASE						单相 1 PHASE						单相 1 PHASE					
星形串联 SERIES STAR	380	400	415	440											Power Factor			
星形并联 PARALLEL STAR	190	200	208	220											0.8	1		
三角形串联 SERIES DELTA	220	230	240	254														
双三角形并联 DOUBLE DELTA									220	230	240				220,230,240			
	KVA	KW	KVA	KW	KVA	KW	KVA	KW	KVA	KW	KVA	KW	KVA	KW	KVA	KW	KVA	KW
SLG184E	22.5	18	22.5	18	22.5	18	17.5	14	13	10.4	13	10.4	13	10.4	15	12	16.6	16.6
SLG184F	27.5	22	27.5	22	27.5	22	22.5	18	16	12.8	16	12.8	16	12.8	18.5	14.8	20	20
SLG184G	31.3	25	31.3	25	31.3	25	27.5	22	18.1	14.5	18.1	14.5	18.1	14.5	21	16.8	22.8	22.8
SLG184H	37.5	30	37.5	30	37.5	30	32.5	26	21.7	17.4	21.7	17.4	21.7	17.4	25	20	27	27
SLG184J	40	32	42.5	34	40	32	35	28	23.2	18.6	24.7	19.8	23.2	18.6	28	22.4	30	30

60Hz CLASS "H"

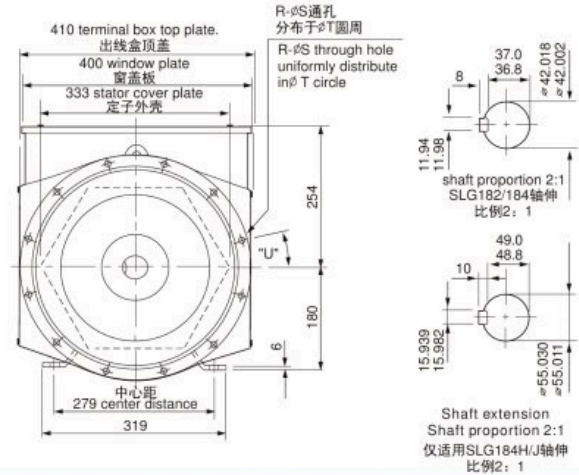
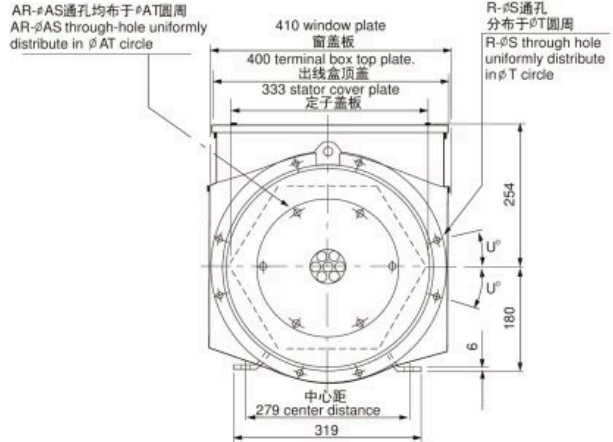
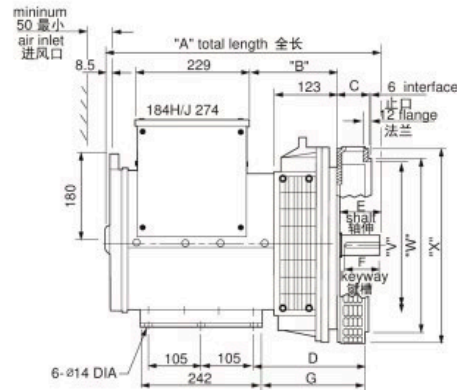
RATINGS 额定/温升/环境温度 Duty / Temp Rise / Ambient T°	绕组形式 311 / 功率因数0.8 Winding 311 / 0.8 Power Factor												绕组形式06 Winding 06					
	持续/125k/40°C Cont./125k/40°C						持续/125k/40°C Cont./125k/40°C						持续/125k/40°C Cont./125k/40°C					
相数 PHASE	三相 3 PHASE						单相 1 PHASE						单相 1 PHASE					
星形串联 SERIES STAR	416	440	460	480											Power Factor			
星形并联 PARALLEL STAR	208	220	230	240											0.8	1		
三角形串联 SERIES DELTA	240	254	266	277														
双三角形并联 DOUBLE DELTA									220	230	240				220,230,240			
	KVA	KW	KVA	KW	KVA	KW	KVA	KW	KVA	KW	KVA	KW	KVA	KW	KVA	KW	KVA	KW
SLG184E	27.5	22	28.8	23	28.8	23	30	24	14.6	11.7	15.3	12.2	16	12.8	18.4	14.7	21	21
SLG184F	32.5	26	34.4	27.5	34.4	27.5	35	28	17.2	13.8	18	14.4	18.8	15	21.9	17.5	25.6	25.6
SLG184G	35	28	37.5	30	37.5	30	37.5	30	18.7	15	19.5	15.6	20.3	16.2	25	20	30	30
SLG184H	44.3	35.4	46.9	37.5	46.9	37.5	46.9	37.5	23.6	18.9	24.6	19.7	25.7	20.6	31.3	25	35	35
SLG184J	47.3	37.8	50	40	50	40	50	40	25	20	26.3	21	27.4	21.9	35	28	40	40

SLG184 外形图 External dimension

单轴承 SINGLE BEARING



双轴承 DOUBLE BEARING



型号 Model	DIMENSION 尺寸(mm)								SHIPMENT DATA 运输数据		
	SAE2	SAE3	SAE4	SAE5	SAE2	SAE3	SAE4	SAE5	N.W.(kg)	G.W.(kg)	LXWXH (mm)
SLG184E	471	443.5	431.5	443.5	186	159	147	159	120	133	565X485X620
SLG184F	561	533.5	521.5	553.5	276	249	237	269	150	156	675X510X620
SLG184G	561	533.5	521.5	553.5	276	249	237	269	156	172	675X510X620
SLG184H	620.5	593.5	581.5	613.5	291	264	252	284	216	226	740X510X620
SLG184J	620.5	593.5	581.5	613.5	291	264	252	284	226	236	740X510X620

型号 Model	DIMENSION 尺寸(mm)								SHIPMENT DATA 运输数据		
	A	B	C	D	E	F	G	N.W.(kg)	G.W.(kg)	LXWXH (mm)	
SLG184E	551.5	177	65	228	82	77	212	131	141	675X510X620	
SLG184F	641.5	267	65	228	82	77	212	154	164	740X510X620	
SLG184G	641.5	267	65	228	82	77	212	170	180	740X510X620	
SLG184H	734.5	282	105	268	110	100	252	220	230	820X510X620	
SLG184J	734.5	282	105	268	110	100	252	230	240	820X510X620	

S.A.E.NO.	AW	R	S	T	U ^o	W	X	C	D
2	132.3	12	11	466.7	15	447.6	489	172	156
3	105	8**	11	428.6	15	409.5	451	145	129
4	93	8	11	381.0	15	361.9	402	133	117
5	125(105)***	8	11	333.3	22.5	314.3	356	165(145)***	149(129)***
6*	136.7	8	11	285.8	22.5	266.7	308	176.7	160.7

S.A.E.NO.	R	S	T	U ^o	V	W	X
1	12	12.7	530.2	15	500	511.17	553
2	12	11	466.7	15	432	447.6	495
3	12	11	428.6	15	396	409.5	451
4	12	11	381.0	15	352	361.9	403
5	8	11	333.3	22.5	301	314.3	356

注: *SAE6需另加一厚31.7mm的过渡板,故"A"尺寸也相应增加31.7mm
 **SAE3的8个孔分布于12等分的圆周上
 ***SLG184E的AW尺寸为105, C尺寸为129
 NOTE: * "A" dimension should extend 31.7mm corresponding to an additional spacer plate added on SAE6
 ** 8 holes of SAE3 uniformly distribute on the circle spaced as 12.
 *** The AW dimension of 184E should be 105, C dimension is 145, D dimension is 129.

注: SAE5不适用于SLG 184H/J

S.A.E.NO.	AN	AR	AS	AT	V
6.5 ^Δ	30.16	6	8.7	200.0	215.8
7.5 ^Δ	30.16	8	8.7	222.2	241.2
8	61.9	6	11	244.5	263.4
10	53.98	8	11	295.3	314.2
11.5	39.68	8	11	333.4	352.3
14 ^Δ	25.4	8	13.5	438.2	466.5

SINGLE BEARING SAE NO SELECTOR 单轴承驱动片和过渡法兰配套表	SAE 6.5	SAE 7.5	SAE 8	SAE 10	SAE 11.5
SAE 3	•	•		•	•
SAE 4	•	•	•	•	
SAE 5	•	•			
SAE 6	•				

注: SAE14仅适用于SLG184H/J铁心; SAE6.5, 7.5不适用SLG184H/J铁心
 NOTE: ^ΔSAE14 is applicable for SLG184H/J iron core;
 SAE6.5&7.5 are not applicable for SLG184H/J iron core.

地址: 福建省宁德市东侨经济开发区瀛湾工业园疏港路6号 邮编: 352100
 Add: No.6 Shugang Road, Zhangwan Industrial District, Dongqiao Economic Development Zone, Ningde, Fujian, China (P.C.): 352100
 电话(Tel): +86-593-2589777 2589518 2589716 传真(Fax): +86-593-2589778 2589506 2768506
 E-mail: sales@yanan-motor.com Http://www.yanan-motor.com